

SUBMITTAL/TECHNICAL DATA SHEET



SPECIFICATIONS

01. Heavy duty forged stainless steel hinges with stainless steel pins
02. Guide arm (If required)
03. 1-1/2" Drain coupling
04. Standard slam lock
05. Automatic hold open arm with Red vinyl grip
06. 1/4" Steel diamond pattern plate cover
07. 1/4" Steel channel frame with welded 1 1/4" x 1 1/4" anchor flange
07. Spring lifting mechanism

SHOP FINISH:

STEEL: Red oxide primer
HARDWARE: Non-corrosive materials
(Unless otherwise specified)

SKU: **J H20**

SINGLE LEAF ACCESS DOOR

TYPE J-H20- EXTERIOR



Reinforced for H20 loading

DIMENSIONS AND APPEARANCE

>> CLICK TO VIEW ADDITIONAL DETAILS AND PRICING <<

INSTALLER NOTES:

A. Use caution. Cover is spring loaded. Do not remove safety shipping bolt until unit is to be installed and in normal horizontal operating position.

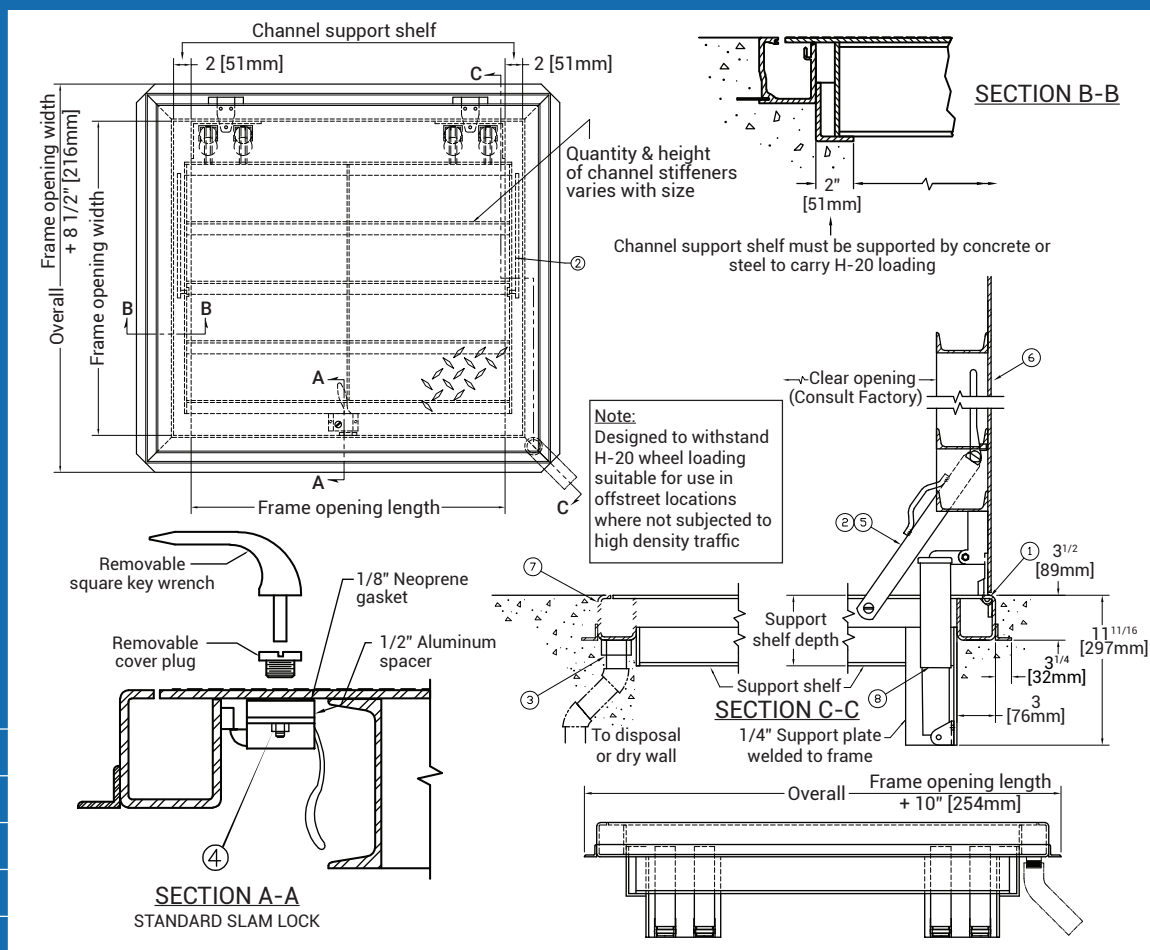
B. Be sure unit is set on slight pitch toward drain corner.

C. Before anchoring in place open and close door. Check to see that the door in the closed position rests on the frame all around. If not, shim under the frame at the proper corner.

D. Do not reduce 1 1/2" drain pipe to dry well or disposal system.

For a complete list of options visit www.AccessDoorsAndPanels.com

QTY	TYPE	SIZE WIDTH X LENGTH	SHELF DEPTH
	J-1H20	2'-0" X 2'-0" [610mm] X [610mm]	4 1/2" [114mm]
	J-2H20	2'-6" X 2'-6" [762mm] X [762mm]	4 1/2" [114mm]
	J-3H20	3'-0" X 2'-6" [914mm] X [762mm]	4 1/2" [114mm]
	J-4H20	3'-0" X 3'-0" [914mm] X [914mm]	5 1/2" [140mm]
	J-5H20	3'-6" X 3'-6" [1065mm] X [1065mm]	5 1/2" [140mm]



PROJECT DATA

Custom Sizes Available - Fast!

PROJECT NAME :	QTY	W	H	OPTIONS
ARCHITECT :				
DEALER :				
CONTRACTOR :				
LOCATION :	SPECIAL INSTRUCTIONS :			
DATE :	SUBMITTAL APPROVAL : (signature or stamp)			
TAGGING INSTRUCTIONS :				

Scan or Click



To view Pricing and Additional Product Info.

TELEPHONE:
1-888-457-1275

FAX:
1-888-626-2907



PO BOX 66738 #76520,
SAINT LOUIS, MO
63166-6738
USA



WEBSITE:
www.AccessDoorsAndPanels.com

E-MAIL:
info@AccessDoorsAndPanels.com